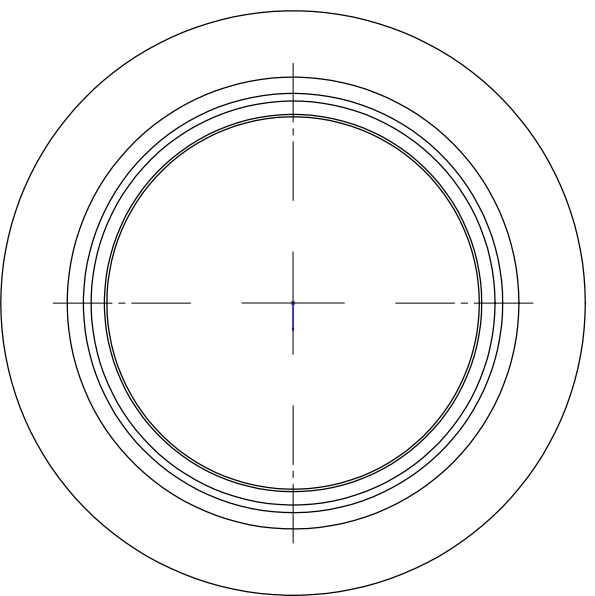


SECTION A-A

SCALE 4 : 1

- Plastic material is food contact approved
- Plastic material complies with REACH requirements
- Plastic material complies with RoHS requirements
- Material Vicat softening temperature is $83 \pm 3^\circ\text{C}$ (ISO306)
- Material melting point is $106 \pm 3^\circ\text{C}$ (DIN53765)
- Izod impact notched at -30°C is 5 kJ/m^2
- Izod impact notched at 23°C is 42 kJ/m^2
- Dynamic stress is not suggested temperatures colder than -20°C
- For further information Please contact orders@all-plast.fi

(1) = minimum order quantity
 (2) = bag quantity for full box
 (3) = quantity of shoulders depend of electric number. Could be 2, 3, 4 or 5.



Electric number	JAPP- / JP- pipe type	pcs/bag ⁽¹⁾	bags/box ⁽²⁾	Dimension A	Dimension B	Dimension C	Dimension D
1131013	JAPP16	100	50	9,7	12,2	13,4	13,5
1131014	JAPP16	100	50	10,4	13,1	15,2	13,2
1131016	JAPP20	100	50	12,7	16,0	17,5	15,5
1131017	JAPP20	100	100	14,1	17,0	17,9	14,7
1131019	JAPP25	100	30	15,9	18,7	19,7	14,7
1131022	JAPP25	100	70	18,1	20,8	22,6	14,7
1131024	JAPP25	100	20	18,7	23,0	24,4	15,3
1131025	JAPP25	100	20	20,9	24,1	25,4	15,1
1131026	JAPP25	100	10	21,6	25,6	26,9	22,0
1131029	JP32	100	25	24,6	29,2	30,7	23,2
1131033	JAPP40	100	15	29,3	32,5	33,8	31,0
1131037	JAPP40	50	20	32,2	35,4	37,0	31,0
1131043	JAPP50	50	8	39,0	42,5	43,6	30,0
1131046	JAPP50	50	16	41,4	45,2	46,2	30,5

Tolerance:

ISO/DIS 20457:2017

Size/ Scale
A3 4:1

Color
White

Volume
- cm3

Material
PE Low Density

Surface Treatment
- g SPI B1

Designed By
Arto Pāvālainen

Date
24.10.2018

Approved by
Arto Pāvālainen

Date
24.10.2018

Drawing number
10013

Rev
-

allplast
www.all-plast.fi

Material Description
PE Low Density
Putkipäätte general dimensions

Drawing number
10013

Rev
-

Rev	DESCRIPTION	AUTHOR	DATE
8			
7			
6			
5			
4			
3			
2			
1			